



COMUS LED PANELS 46W PRODUCT DATA SHEET

1. Product introduction

The Comus LED panel light is a new type of commercial lighting products, with a lifespan of 50000 hours and designed to fit directly into existing standard 600 mm x 600mm suspended ceilings and recesses. A robust construction providing even light dispersion, low heat output and no UV or IR. Each Panel has an isolated driver for instant connection. The panel is dimmable using 1-10V protocol.

Areas of application:

- Indoor commercial lighting;
- Home lighting;
- Offices;
- Factories;
- Schools;
- Shopping malls;
- Hospitals;
- Supermarkets, etc.

Features:

- Energy efficient replacement;
- Easy installation;
- Stylish appearance.

Benefits:

- Long service life: up to 50000 h;
- High CRI of 80Ra;
- Evenly distributed bright LED light;
- Eco friendly.

2. Electrical and photometrical data

Electrical parameters

Parameter	Measurement Unit	Value
Input voltage	V (ac)	100-277
Idc	A	1.4
Operating frequency	Hz	50/60
LED wattage	W	46
LED wattage (in operation)	W	41.5-50.5
Efficiency of power supply	%	85
PF	-	> 0.9

Photometrical parameters*

Parameter	Measurement Unit	Value	
Luminous output	lm	3200	
Beam angle	deg	120	
Average illuminance	1 m	lx	1247
	2 m	lx	311
	3 m	lx	138
Color Temperature	WW	K	3000
	CW	K	5700
CRI	Ra	80	

* at 25°C

General parameters

Parameter	Measurement Unit	Value
Operating temperature	°C	-25°C...+55°C
Storage temperature	°C	-25°C...+65°C (+25°C recommended)
Dimmable	-	YES
Estimated lifespan	H	50000
Weight	Kg	4.40
Length	mm	600
Width	mm	600

3. Photometrical results and graph

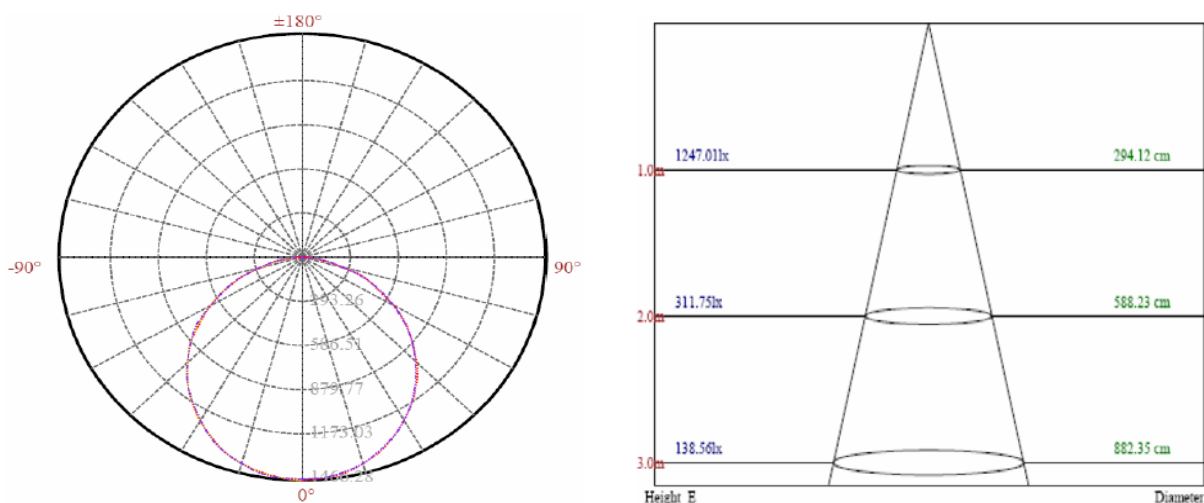


Figure 1 Luminous intensity distribution and lux distance curve

4. UK Mains Voltage Test

Original measurements were taken in our factory and were conducted usually at 220V.

To provide the most accurate values for the electrical parameters we conducted a series of measurements in real time. Each tube was connected to mains voltage and linked to a high-end power meter. The measurements obtained are the relevant values for active power (P), reactive power (Q), apparent power (S), input current (I) and power factor (PF, not $\cos\phi$) when the products are used with UK voltage.

Electrical parameters at UK mains voltage

Model number	Mains voltage [V]	Mains Current [mA]	P [W]	Q [VAr]	S [VA]	PF
LEDPAN46W3K	240	222	46.3	26	53.3	0.87
LEDPAN46W57K	241	217	46.5	24	52.4	0.89

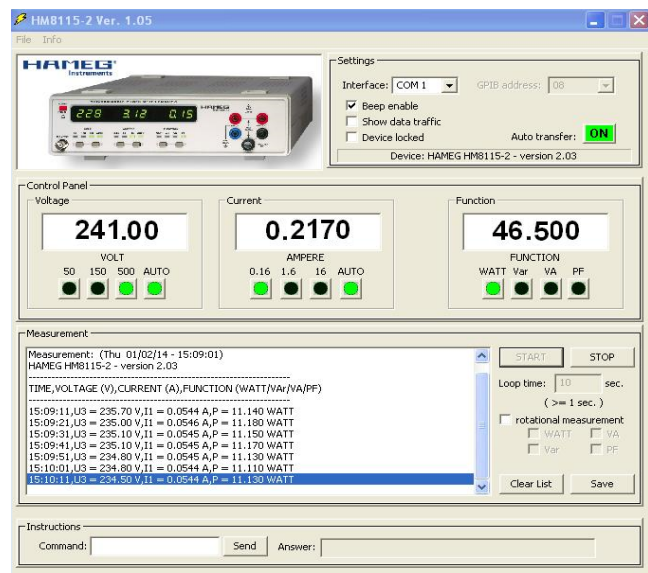


Figure 2 Real time measurements

5. Product display and dimensions

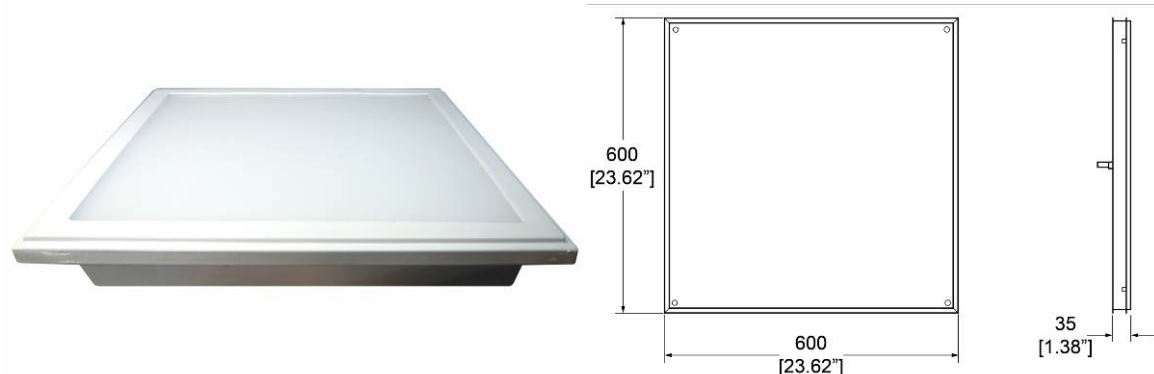


Figure 3 LED Panel 46W

6. Packaging

Package: 680mm x 680mm x 140mm / 26.77" x 26.77" x 5.51" (1 piece/package)

Gross weight of one package: 5.96kg / 13.14lb

Outer carton: 700mm x 450mm x 710mm / 27.56" x 17.72" x 27.95" (3 packages /carton)

Gross weight of one carton: 19.8kg / 43.65lb



COMUS LED PANELS 58W PRODUCT DATA SHEET

1. Product introduction

The Comus LED panel light is a new type of commercial lighting products, with a lifespan of 50000 hours and designed to fit directly into existing standard 600 mm x 600mm suspended ceilings and recesses. A robust construction providing even light dispersion, low heat output and no UV or IR. Each Panel has an isolated driver for instant connection. The panel is dimmable using 1-10V protocol.

Areas of application:

- Indoor commercial lighting;
- Home lighting;
- Offices;
- Factories;
- Schools;
- Shopping malls;
- Hospitals;
- Supermarkets, etc.

Features:

- Energy efficient replacement;
- Easy installation;
- Stylish appearance.

Benefits:

- Long service life: up to 50000 h;
- High CRI of 80Ra;
- Evenly distributed bright LED light;
- Eco friendly.

2. Electrical and photometrical data

Electrical parameters

Parameter	Measurement Unit	Value
Input voltage	V (ac)	100-277
I _{dc}	A	1.7
Operating frequency	Hz	50/60
LED wattage	W	58
LED wattage (in operation)	W	52.5-63.5
Efficiency of power supply	%	85
PF	-	> 0.9

Photometrical parameters*

Parameter	Measurement Unit	Value	
Luminous output	lm	3900	
Beam angle	deg	120	
Average illuminance	1 m	lx	1463
	2 m	lx	365
	3 m	lx	163
Color Temperature	WW	K	3000
	CW	K	5700
CRI	Ra	80	

* at 25°C

General parameters

Parameter	Measurement Unit	Value
Operating temperature	°C	-25°C...+55°C
Storage temperature	°C	-25°C...+60°C (+25°C recommended)
Dimmable	-	YES
Weight	Kg	4.40
Length	mm	600
Width	mm	600

3. Photometrical report and graph

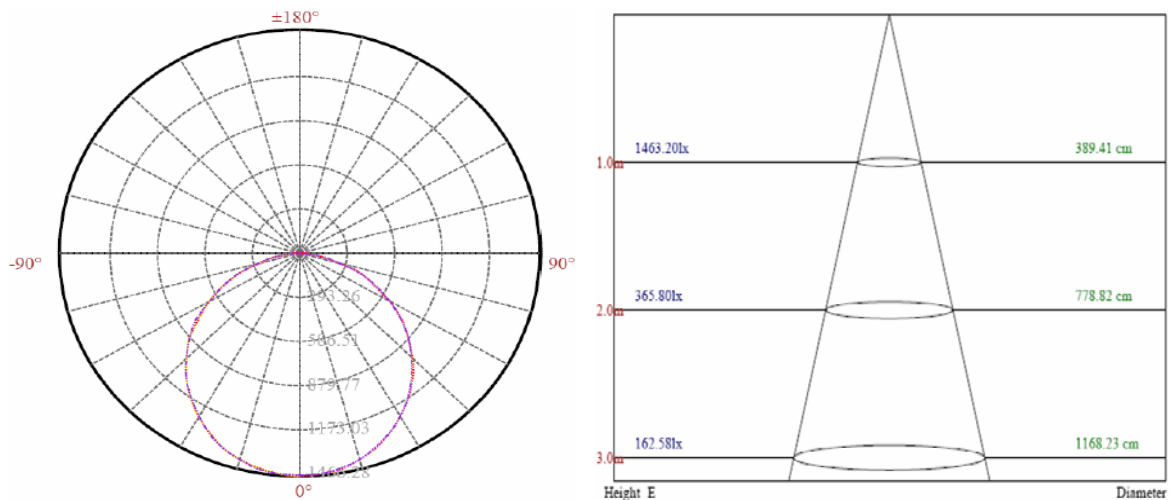


Figure 1 Luminous intensity distribution and lux distance curve

4. UK Mains Voltage Test

Original measurements were taken in our factory and were conducted usually at 220V.

To provide the most accurate values for the electrical parameters we conducted a series of measurements in real time. Each tube was connected to mains voltage and linked to a high-end power meter. The measurements obtained are the relevant values for active power (P), reactive power (Q), apparent power (S), input current (I) and power factor (PF, not $\cos\phi$) when the products are used with UK voltage.

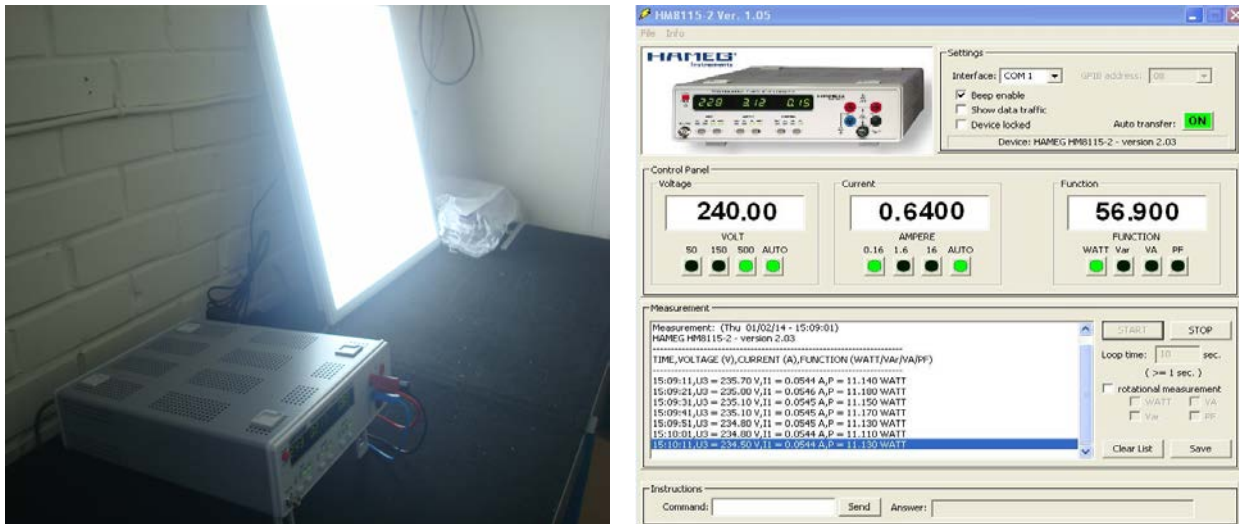


Figure 2 Real time measurements

Electrical parameters at UK mains voltage

Model number	Mains voltage [V]	Mains current [mA]	P [W]	Q [VAr]	S [VA]	PF
LEDPAN58W3K	240	264	57.3	27	63.4	0.9
LEDPAN58W57K	240	269	59.4	26	64.6	0.92

5. Product display and dimensions

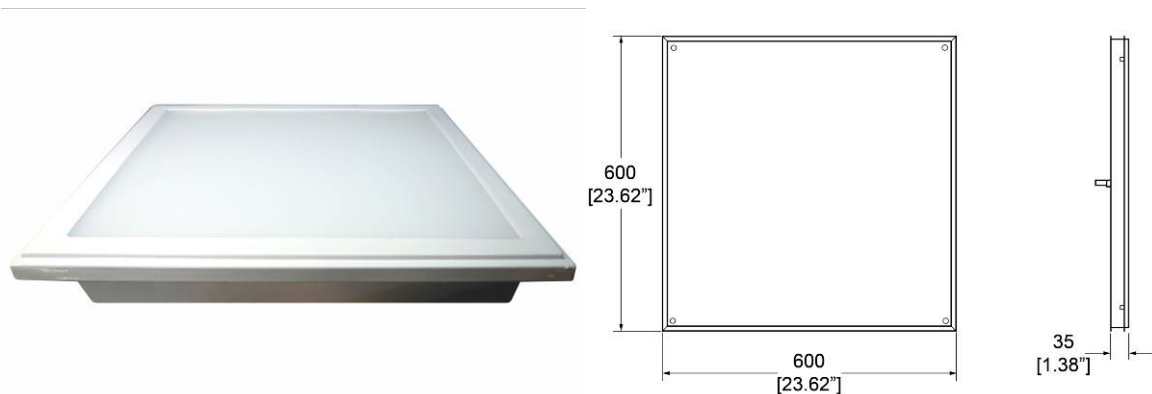


Figure 3 LED Panel 58W

6. Packaging

Package: 680mm x 680mm x 140mm / 26.77" x 26.77" x 5.51" (1 piece/package)

Gross weight of one package: 5.96kg / 13.14lb

Outer carton: 700mm x 450mm x 710mm / 27.56" x 17.72" x 27.95" (3 packages /carton)

Gross weight of one carton: 19.8kg / 43.65lb